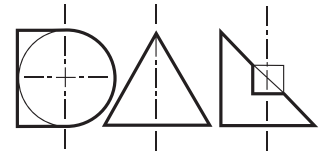


# SIVIC 200 Lens Wallwasher

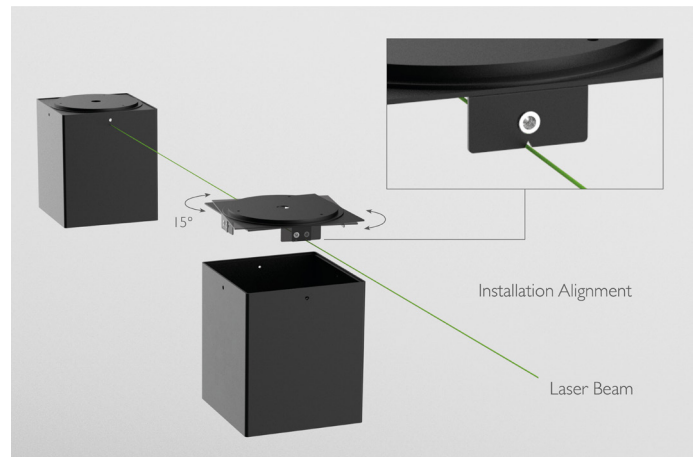
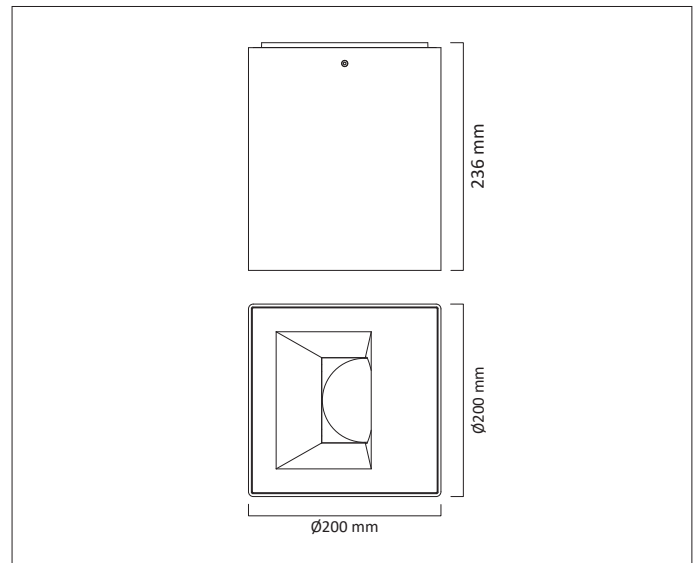


SIVIC 200 lens wallwasher comes with 15-degree rotatable surface mounting plate, allowing precise alignment during installation. Optional skirt conceals bsa boxes, facilitating seamless pipe passage and maintaining the fixture's aesthetic integrity. SIVIC 200 finished in white, silver and black casing as standard. The high-quality precision light controller gives visual comfort. The SIVIC 200 incorporates the latest, high efficiency LED technology. Colour consistency through life is ensured by state-of-the-art components and passive cooling aluminium heat sinks.

Standard colour temperatures: 2700K, 3000K, 4000K, colour rendering Ra >90 2 step Macadam. Life 50000 hours. A choice of drivers provide fixed supply or dimming to project requirements.

IP44 durable, high specification diecast construction, colour powder coat finish provides longevity.

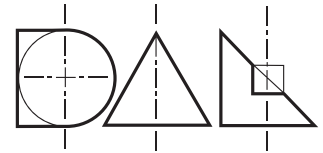
Built to conform to the requirements of BS EN 60598-1 and IEC 598. Photometrically tested to LM-79 confirms SIVIC 200 high performance.



## PRODUCT CODING EXAMPLE: G320123J550X009

| Series     | Distribution | Reflector Colour                           | Initial Lumen                          | LED      | Colour Temp                   | Driver Protocol   | Emergency Protocol                        | Body Colour                             |
|------------|--------------|--|--|----------|-------------------------------|---|---|---|
| G32        | 0 Wallwash   | 1 Specular<br>Silver<br>3 Black<br>4 White | 23 2300 lm<br>30 3000 lm<br>37 3700 lm | J CREE   | 2 2700K<br>3 3000K<br>5 4000K | 0 Fixed<br>1 1-10V<br>5 DALI<br>7 Lead / Trail<br>9 Addressible | 0 None<br>E Emergency<br>N Non-maintained | X009 Black<br>X006 White<br>X159 Silver |
| <b>G32</b> | <b>0</b>     | <b>1</b>                                   | <b>23</b>                              | <b>J</b> | <b>5</b>                      | <b>5</b>  | <b>0</b>                                  | <b>X009</b>                             |

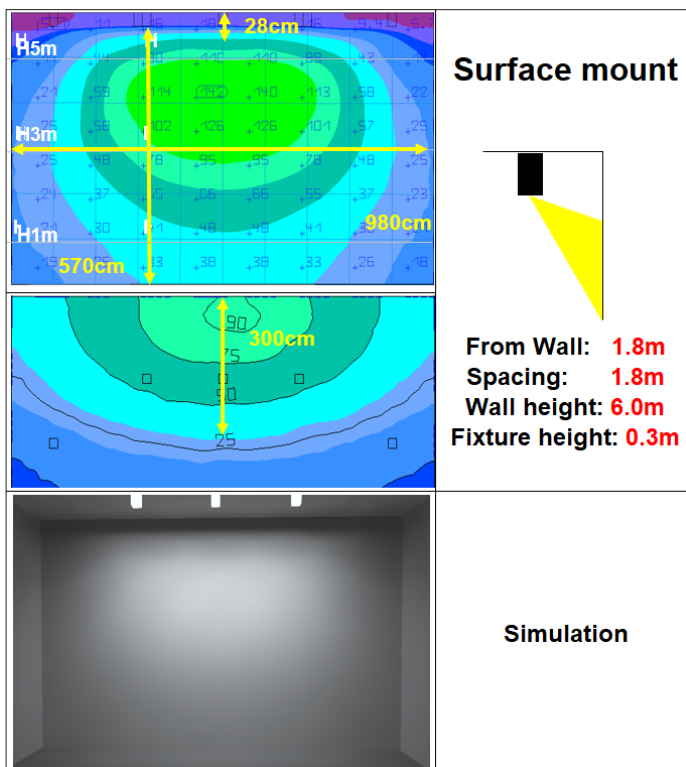
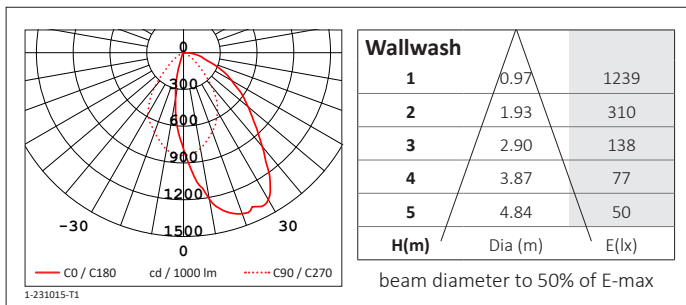
# CREE Light Engine - For Lens Wallwash



| CCT   | Lumen Source | Delivered Lumens | CRI | Forward Voltage | Pd (W) | Current |
|-------|--------------|------------------|-----|-----------------|--------|---------|
| 2700K | 2423 lm      | 1139 lm          | 90  | 32.6 V          | 16.3 W | 500 mA  |
|       | 3304 lm      | 1553 lm          | 90  | 33.3 V          | 23.3 W | 700 mA  |
|       | 4138 lm      | 1945 lm          | 90  | 33.9 V          | 30.5 W | 900 mA  |
| 3000K | 2526 lm      | 1187 lm          | 90  | 32.6 V          | 16.3 W | 500 mA  |
|       | 3443 lm      | 1618 lm          | 90  | 33.3 V          | 23.3 W | 700 mA  |
|       | 4313 lm      | 2027 lm          | 90  | 33.9 V          | 30.5 W | 900 mA  |
| 4000K | 2563 lm      | 1205 lm          | 90  | 32.6 V          | 16.3 W | 500 mA  |
|       | 3494 lm      | 1642 lm          | 90  | 33.3 V          | 23.3 W | 700 mA  |
|       | 4376 lm      | 2057 lm          | 90  | 33.9 V          | 30.5 W | 900 mA  |

## PHOTOMETRIC DATA - Tested with 4000K CREE LED (CRI 90, 2-step Macadam)

| Beam Angle | Delivered Lumens | LOR | Luminous Intensity | Forward Voltage | LED W | Current |
|------------|------------------|-----|--------------------|-----------------|-------|---------|
| Wallwash   | 1770 lm          | 47% | 1437 cd            | 33.9 V          | 35 W  | 900 mA  |



Tolerance range for optical and electrical data: ±10%.