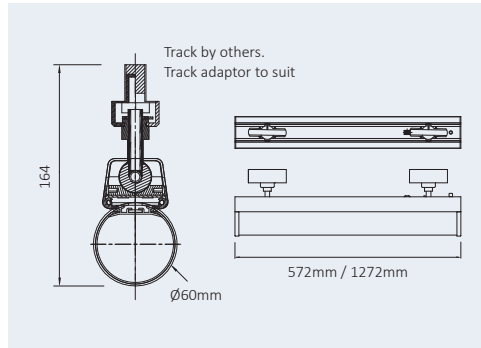


G-LINE OPAL TUBE

- Light Control:** Smooth dimming down to 5%
Achieved by a rotary control
- Optical:** Tubular opal diffuser
with even distribution and appearance
- Construction:** Extruded aluminium
- Standard Mounting:** 3 Circuit Eutrac adaptor x2
- IP Rating:** IP20 (dry interior use)
- Electrical Supply:** 230-240V, 50/60Hz
- Longevity (min):** 50,000 hrs L80



Other CCT and CRI are available on request.

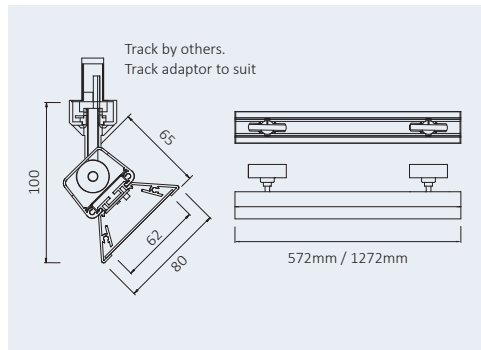
Product Number	Finish	Length	Colour Switch CCT	CRI	Initial Lumens
GL572 / W	RAL 9010 White	572 mm	3000K / 4000K	90+	3000 lm
GL572 / B	RAL 9005 Black	572 mm	3000K / 4000K	90+	3000 lm
GL1272 / W	RAL 9010 White	1272 mm	3000K / 4000K	90+	5000 lm
GL1272 / B	RAL 9005 Black	1272 mm	3000K / 4000K	90+	5000 lm



G-LINE OPAL TUBE

I-LINE WASHLIGHT

- Light Control:** Smooth dimming down to 5%
Achieved by a rotary control
- Optical:** Engineered diffuser control
Even distribution and appearance
- Construction:** Extruded aluminium
- Finish:** RAL 9010 White / RAL 9005 Black
- Standard Mounting:** 3 Circuit Eutrac adaptor x2
- IP Rating:** IP20 (dry interior use)
- Electrical Supply:** 230-240V, 50/60Hz
- Longevity (min):** 50,000 hrs L80



Other CCT and CRI are available on request.

Product Number	Distribution	Length	CCT	CRI	Initial Lumens	Watts
L7501	Asymmetric	572 mm	3000K	90+	2000 lm	15.0
L7701	Asymmetric	572 mm	4000K	90+	2000 lm	15.0
L7502	Asymmetric	1272 mm	3000K	90+	4000 lm	33.7
L7702	Asymmetric	1272 mm	4000K	90+	4000 lm	33.7



I-LINE WASHLIGHT

DAL LONDON STUDIO

UNDERWOOD WORKS, 6-14 UNDERWOOD STREET, LONDON, N1 7JQ

+44 (0)207 4903998

SALES@DAL-UK.COM

WWW.DAL-UK.COM



© 2023. Designed Architectural Lighting.
All rights reserved, all designs and photos are protected by copyright.

Track Linear Light





G-LINE OPAL TUBE

G-LINE with a 60mm diameter opal tube is a track mounted luminaire with a high range of adjustability providing flexibility for multiple lighting solutions. The on-board dimmer can provide accent lighting, perfect for creating an atmosphere and enhancing objects. The high output LED is perfect for general lighting giving a larger sense of space to the environment. Of extruded aluminum and steel construction finished in white or black. The high-quality and efficient opal diffuser provides a uniform distribution. The G-LINE is easy to install and incorporates the latest, high efficiency LED technology. Colour consistency through life is ensured by state-of-the-art components and passive cooling aluminum heat sinks.

Available in single colour temperature or with a colour switch 3000K / 4000K as standard, perfect for galleries and exhibitions. Colour rendering Ra 90+, 3 step Macadam. Long life of 50,000 hours. On board dimmer smooth 1-100% dimming. IP20 construction. Built to conform to the requirements of BS EN 60598-1 and IEC 598. Photometrically tested to LM-79.



Available in two lengths 572mm / 1272mm.



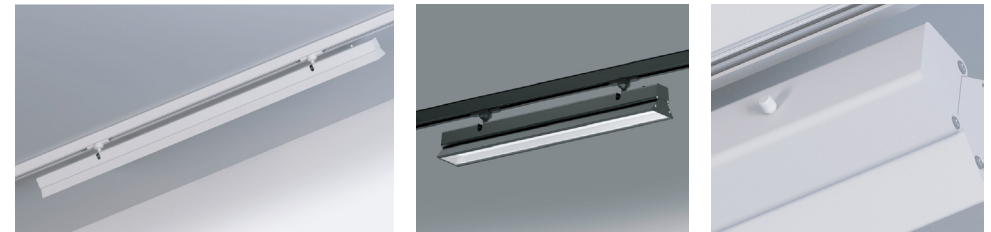
Built in rotary dimmer

Switchable 3000K or 4000K

I-LINE WASHLIGHT

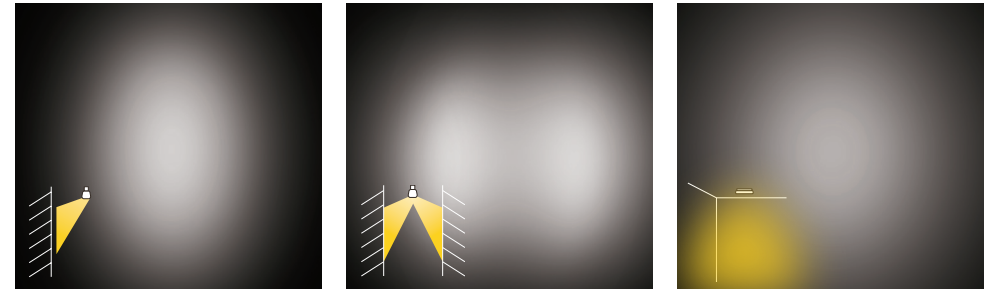
I-LINE WASHLIGHT is a track mounted luminaire with high a range of adjustability for providing a high degree of flexibility on artwork or large displays. The on-board dimmer can provide accent lighting, perfect for creating an atmosphere and enhancing objects. The high output LED is perfect for wall washing giving a larger sense of space to the environment. I-LINE LED washlight is perfect for all lighting solutions. Of extruded aluminium and steel construction finished in white or black. The high-quality precision light controller used in conjunction with a choice of films / diffusers gives visual comfort. The I-LINE is easy to install and incorporates the latest, high efficiency LED technology. Colour consistency through life is ensured by state-of-the-art components and passive cooling aluminium heat sinks.

Standard colour temperatures: 3000K, 4000K colour rendering Ra >90 3 step Macadam. Life 50000 hours. On board dimmer provides 1-100% dimming. IP20 construction. Built to conform to the requirements of BS EN 60598-1 and IEC 598. Photometrically tested to LM-79.



Available in two lengths 572mm / 1272mm.

Built in rotary dimmer



Asymmetric

Double Asymmetric

Diffused