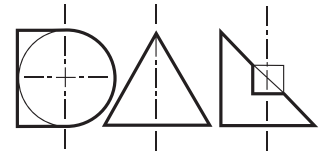


TEMPO 161

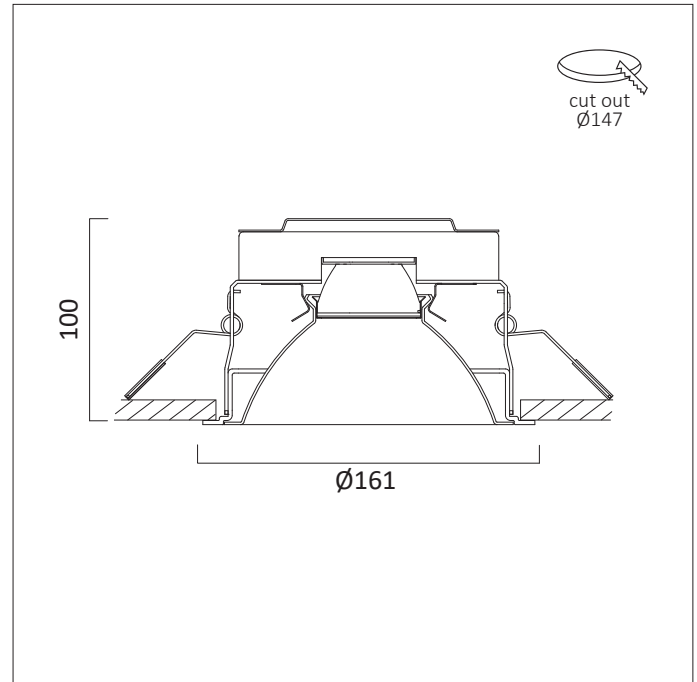


TEMPO 161 round recessed downlighter with standard white ceiling trim and a choice of deep cone reflector finish and beam distribution. The high-quality precision lens with aluminium reflector gives visual comfort. The TEMPO 161 is easy to install and incorporates the latest, high efficiency LED technology. Colour consistency through life is ensured by state-of-the-art components and passive cooling aluminium heat sinks.

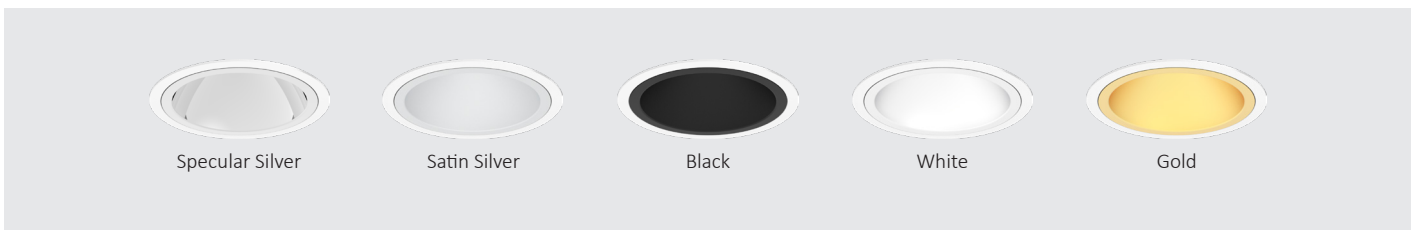
Standard colour temperatures: 2700K, 3000K, 4000K, colour rendering Ra >90 2 step Macadam are all available. Life 50000 hours.

A choice of drivers provide fixed supply or dimming to project requirements. IP20 or IP44 durable, high specification diecast construction, colour powder coat finish provides longevity.

Built to conform to the requirements of BS EN 60598-1 and IEC 598. Photometrically tested to LM-79 confirms TEMPO 161 high performance.



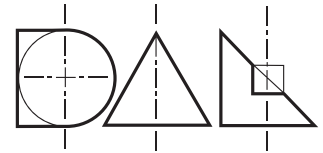
Reflector Finish Variations



PRODUCT CODING EXAMPLE: C714120J550

Series	Distribution	Reflector Colour	Initial Lumen	LED	Colour Temp	Driver Protocol	Emergency Protocol
C71 IP20 C72 IP44	2 19° 3 26° 4 38° 5 54° 9 84°	1 Specular Silver 2 Satin Silver 3 Black 4 White 5 Gold	14 1400 lm 19 1900 lm 30 3000 lm	J CREE	2 2700K 3 3000K 5 4000K	0 Fixed 1 1-10V 5 DALI 7 Lead / Trail 9 Addressible	0 None E Emergency N Non-maintained
C71	4	1	20	J	5	5	0

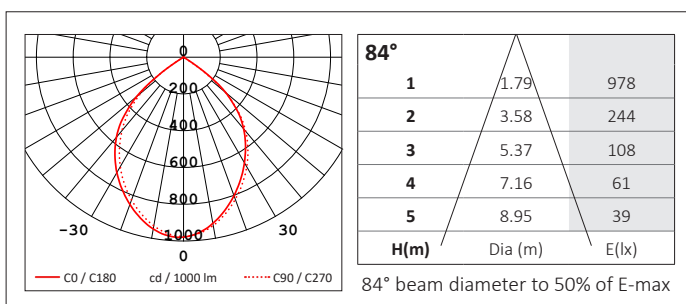
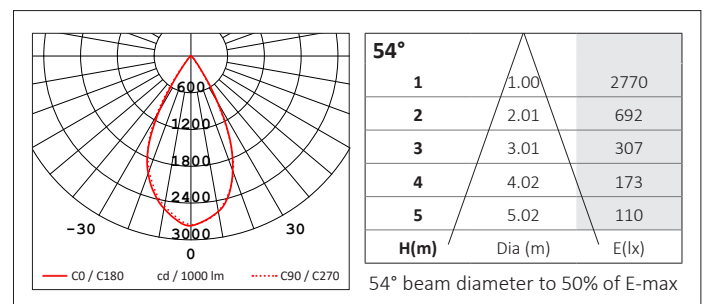
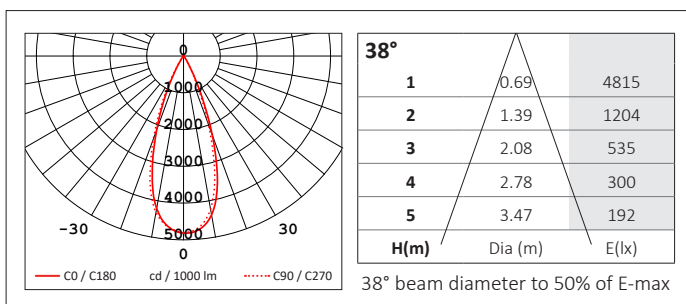
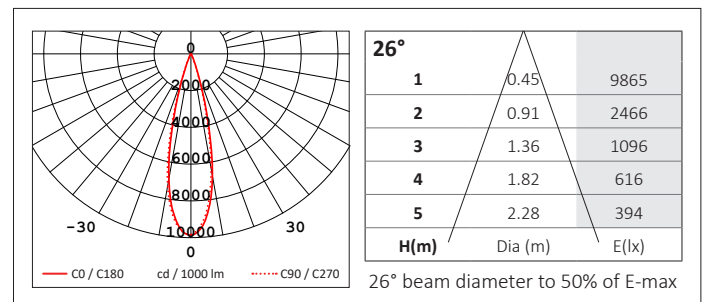
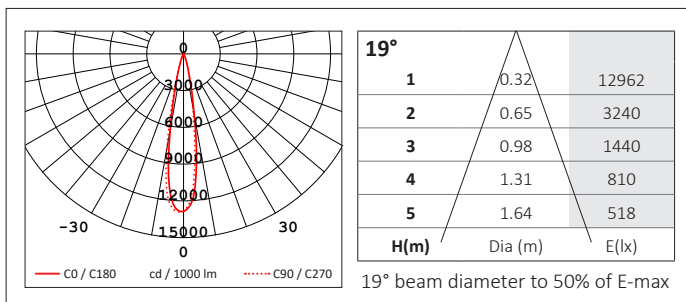
CREE Light Engine - For 19° / 26° / 38° / 54° / 84° Beam



CCT	Lumen Source Output	CRI	Forward Voltage	Pd (W)	Current
2700K	1400 lm	90	33.6 V	11.8 W	350 mA
	1900 lm	90	34.6 V	17.3 W	500 mA
	2700 lm	90	36.1 V	27.1 W	750 mA
3000K	1450 lm	90	33.6 V	11.8 W	350 mA
	2000 lm	90	34.6 V	17.3 W	500 mA
	2800 lm	90	36.1 V	27.1 W	750 mA
4000K	1600 lm	90	33.6 V	11.8 W	350 mA
	2200 lm	90	34.6 V	17.3 W	500 mA
	3000 lm	90	36.1 V	27.1 W	750 mA

PHOTOMETRIC DATA - Tested with 4000K CREE LED (CRI 90, 2-step Macadam)

Beam Angle	Delivered Lumens	LOR	Luminous Intensity	Forward Voltage	LED W	Current	Current
19°	1831 lm	87%	12986 cd	34.4 V	20 W	500 mA	<19
26°	2053 lm	97%	9865 cd				
38°	2021 lm	96%	4817 cd				
54°	1958 lm	93%	2770 cd				
84°	1525 lm	78%	980 cd				



Tolerance range for optical and electrical data: ±10%.