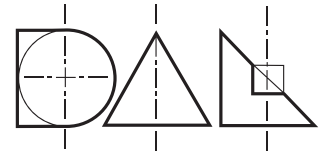


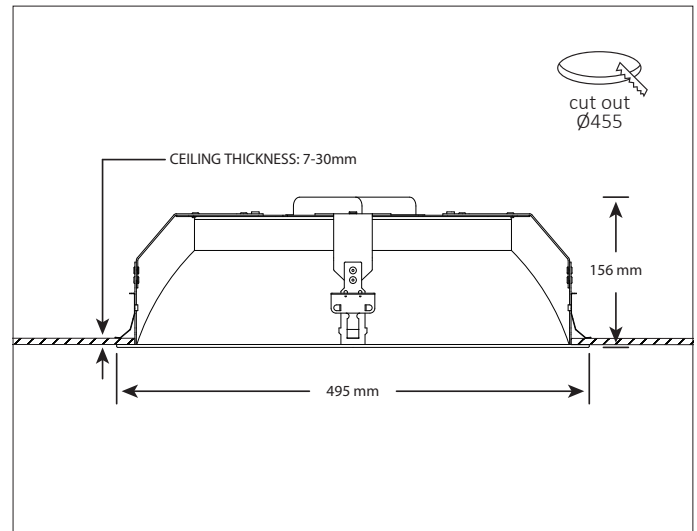
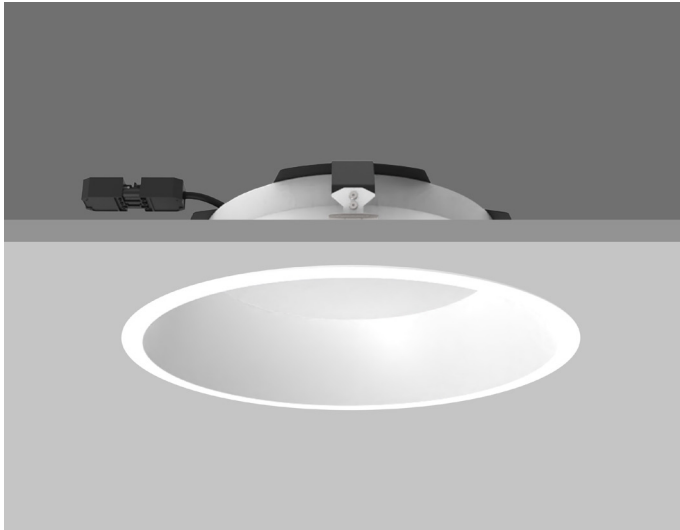
# SPACE 495 DOWNLIGHT



SPACE 495 DOWNLIGHT round recessed downlight with standard white ceiling trim and a choice of deep cone reflector finish. The SPACE 495 DOWNLIGHT is easy to install and incorporates the latest, high efficiency LED technology. Colour consistency through life is ensured by state-of-the-art components and passive cooling system.

Colour temperatures: 4000K, colour rendering Ra >80 3 step Macadam are all available. Life 50000 hours. A choice of drivers provide fixed supply or dimming to project requirements. high specification diecast construction, powder coat finish provides longevity.

The SPACE 495 DOWNLIGHT tool-less mechanism makes installation easy. Photometrically tested to LM-79-08 confirms SPACE 495 DOWNLIGHT performance.



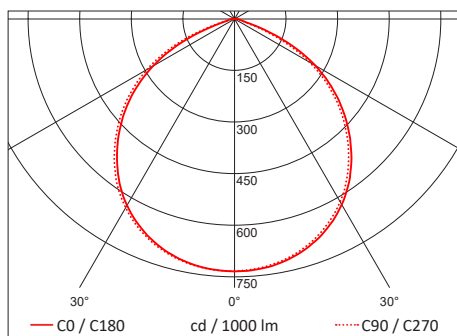
Product No.	CCT	CRI	Lumen Source	Pd (W)	IP	Driver Protocol
A7627	4000 K	80	3332 lm	28 W	IP20	Fixed, 1-10V, DALI, Phase-cut

## Reflector Finish Variations



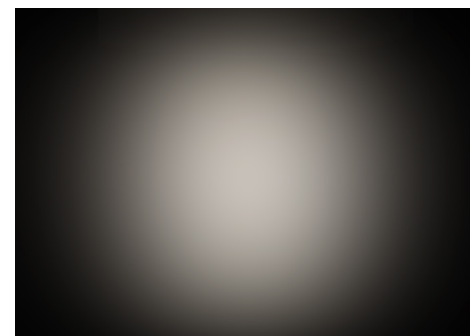
## Photometric Data - Tested with 4000K LED (CRI >80, 3-step Macadam)

Beam Angle	Lumen Source	Delivered Lumens	LOR	Luminous Intensity	Forward Voltage	LED W	Current
107°	3332 lm	1839 lm	55%	733 cd	220 V	28 W	700 mA



107°		
H(m)	Dia (m)	E(lx)
1	2.70	733
2	5.41	183
3	8.11	81
4	10.82	45
5	13.52	29

Beam diameter to 50% of E-max



Tolerance range for optical and electrical data: ±10%.