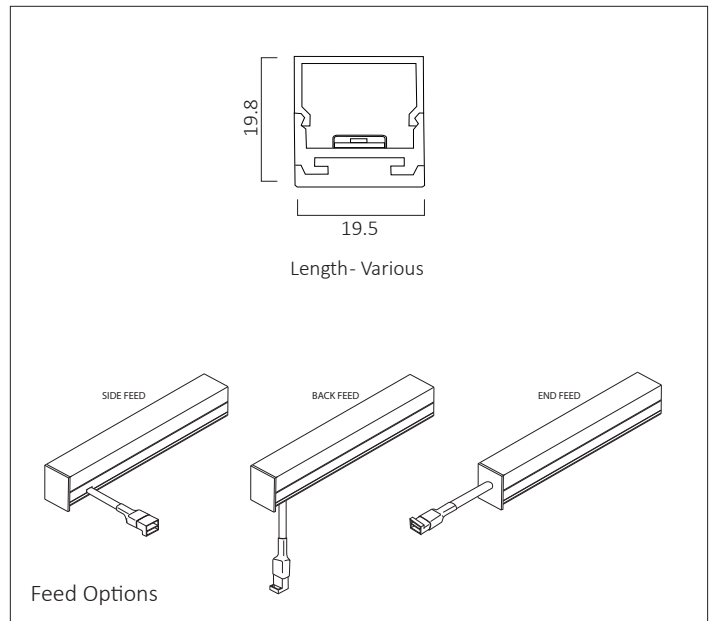


COVELINE LED

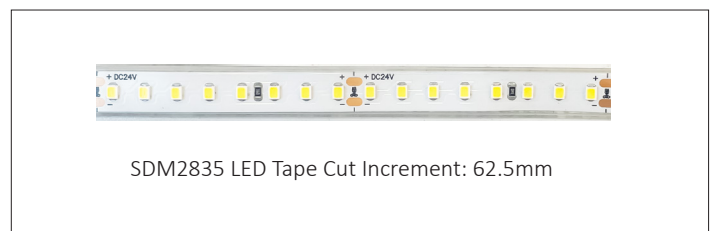
COVELINE LED is a surface mounted luminaire. It consists of an aluminium extruded profile constructed as individual modules in various chassis length, which come complete with remote driver. Optical control is provided by a clip in opal diffuser.

COVELINE LED is available various options, for example, side feed, back feed, end feed and various baskets. It will be necessary to discuss specific requirement to ensure the correct specification. High Efficient LED, other output are available. Small tolerance of MacAdam 3.



Product No	Length (mm)	Colour Temp	CRI	Source (Lm)	Wattage (W)	System Efficacy (Lm/W)
L44XX	1000	3000K	90	2300	15W	153
L45XX	1000	4000K	90	2400	15W	160

LED Pitch	128 led/m
Cut Increment	62.5mm
Lamp Type (Typical)	DC 24V LED, 2300/2400 lm/m, 3000K or 4000K. Ra90, 15 lm/W
Reflector	White RAL 9010
Diffuser	Opal
Construction	Aluminium / Steel / Plastic
Finish	Inodized Silver
IP	IP44/IP67
Control	DALI, DMX, 1-10V Dimmable Driver
Lifetime	50,000 hours @ 25°C



Tolerance range for optical and electrical data: $\pm 10\%$.