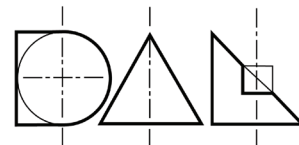


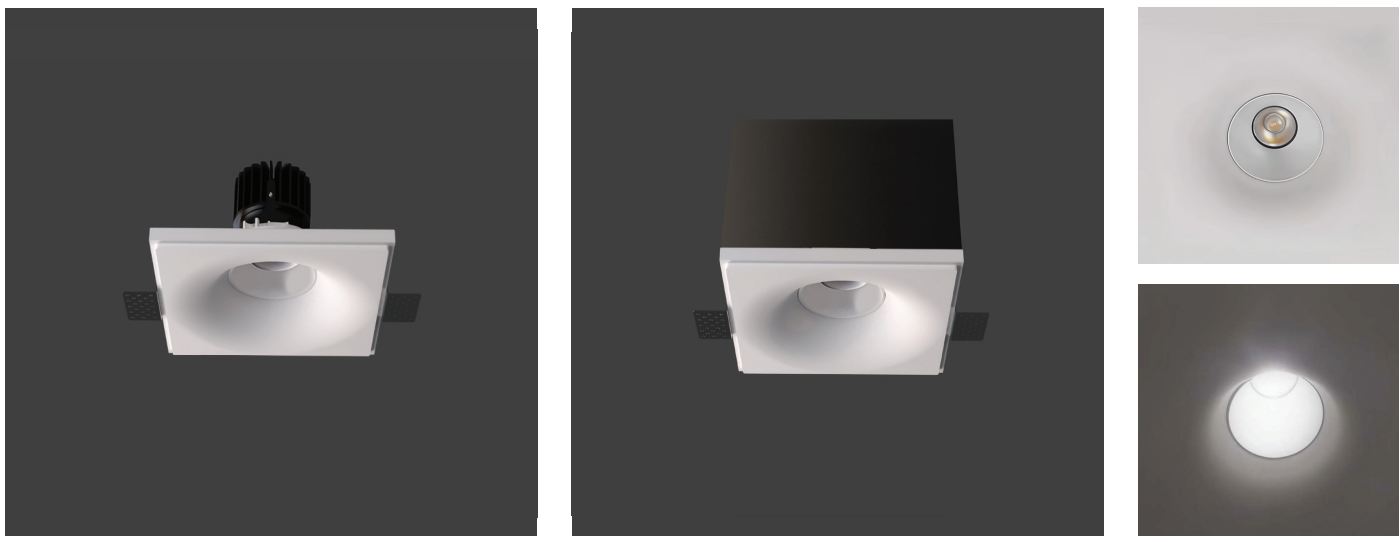
GYPSUM SUMMARY



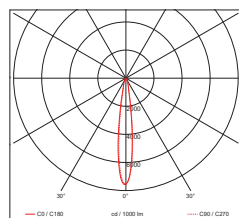
Gypsum FIXED/DIRECTIONAL Round recessed downlighter complete with deep cone reflector and minimal trim set into and supplied with proprietary 'soft edge' gypsum plaster ceiling trim. The high-quality precision lens and deep cone aluminium reflector gives visual comfort. Driver mounted remotely.

Gypsum is a plaster in product and incorporates the latest, high efficiency LED technology. Colour consistency through life is ensured by state-of-the-art components and passive cooling aluminium heat sinks.

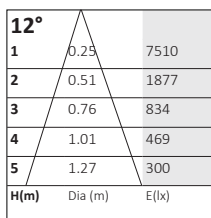
Standard colour temperatures: 2700K, 3000K, 4000K, colour rendering Ra>90 2-step Macadam are all available. Life 50000 hours.



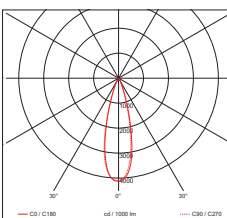
Light Source	Beam Angle	Lumen Source	LED W	CCT	CRI	Macadam	IP Rating
Narrow Module	12°	1500lm	13W	2700K, 3000K, 4000K	90+	2 step	IP20
Standard Module	24°	1500lm	13W	2700K, 3000K, 4000K	90+	2 step	IP20, IP54
	36°						IP20, IP44
	40°						IP20



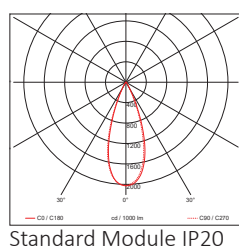
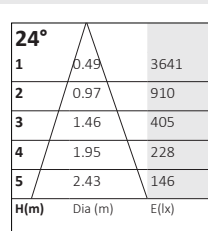
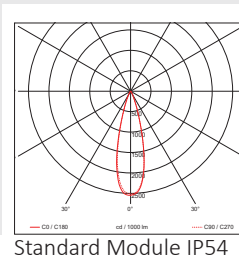
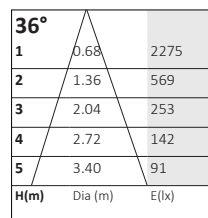
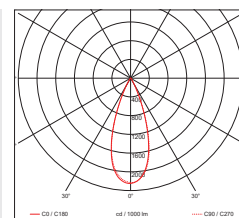
Narrow Module IP20



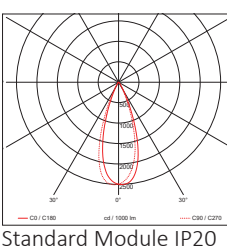
Standard Module IP20



Standard Module IP44

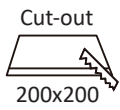
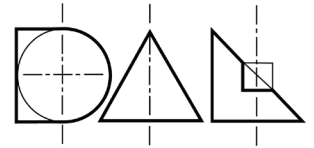


Standard Module IP20



Standard Module IP20

Full Soft Edge



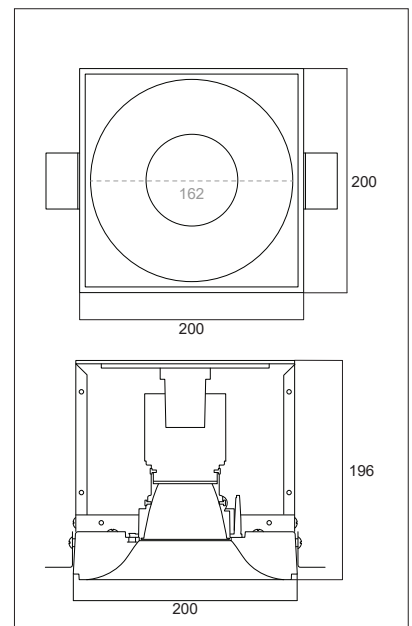
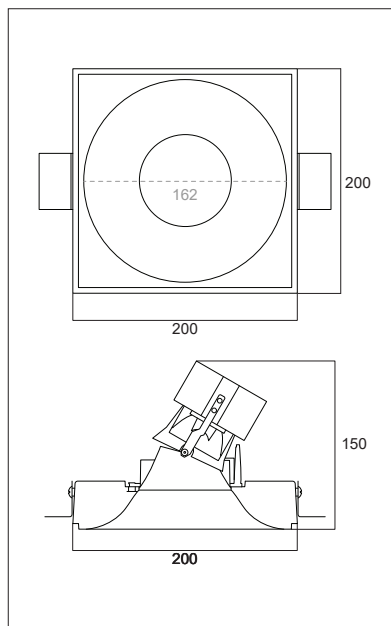
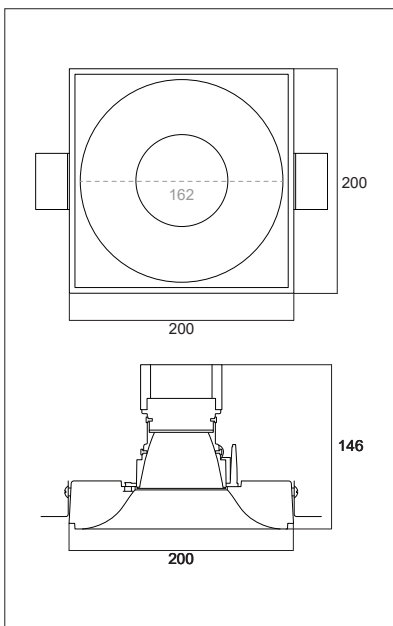
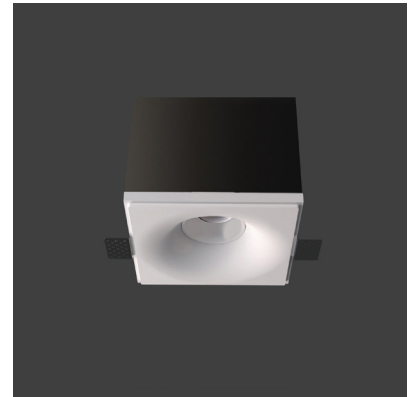
Fixed



Adjustable



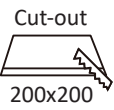
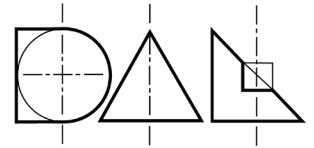
IP54 Full Box



Light Source	Beam Angle	Lumen Source	Delivered Lumens	Luminous Intensity	Current	Forward Voltage	LED W	CRI	Macadam
Narrow Module	12°	1337 lm	822 lm	7513 cd	400mA	33V	13W	90+	2 step
	24°	1255 lm	1001 lm	3891 cd	400mA	33V	13W	90+	2 step
Standard Module	36°	1255 lm	1054 lm	2658 cd	400mA	33V	13W	90+	2 step
	40°	1255 lm	1011 lm	2513 cd	400mA	33V	13W	90+	2 step

Data based on 3000K IP20

140mm Edge



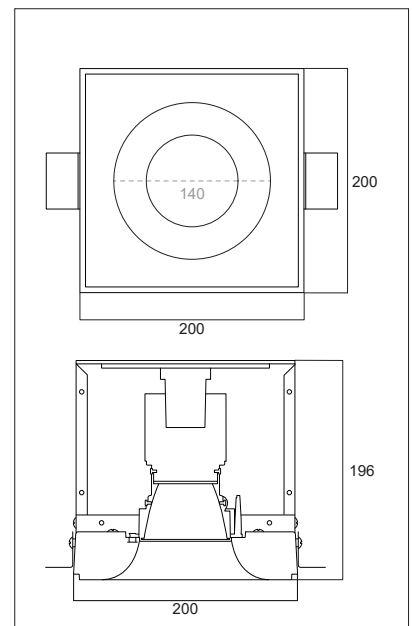
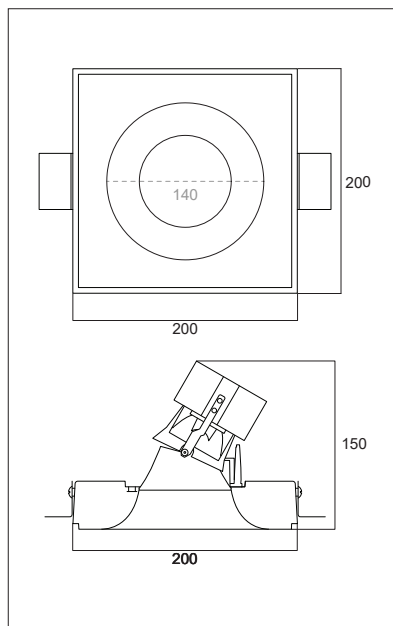
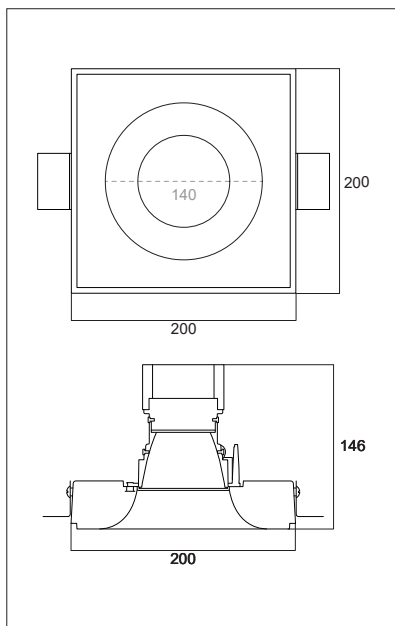
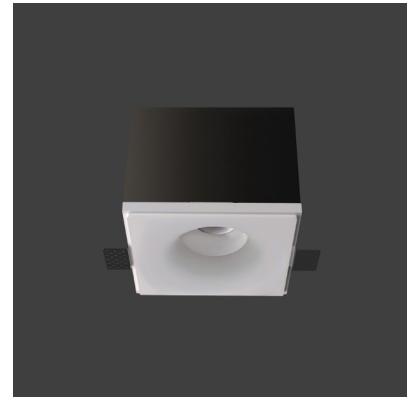
Fixed



Adjustable



IP54 Full Box



Light Source	Beam Angle	Lumen Source	Delivered Lumens	Luminous Intensity	Current	Forward Voltage	LED W	CRI	Macadam
Narrow Module	12°	1337 lm	822 lm	7513 cd	400mA	33V	13W	90+	2 step
	24°	1255 lm	1001 lm	3891 cd	400mA	33V	13W	90+	2 step
Standard Module	36°	1255 lm	1054 lm	2658 cd	400mA	33V	13W	90+	2 step
	40°	1255 lm	1011 lm	2513 cd	400mA	33V	13W	90+	2 step

Data based on 3000K IP20