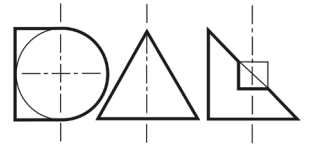
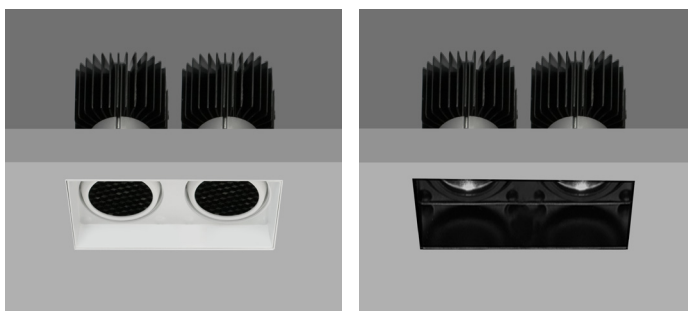
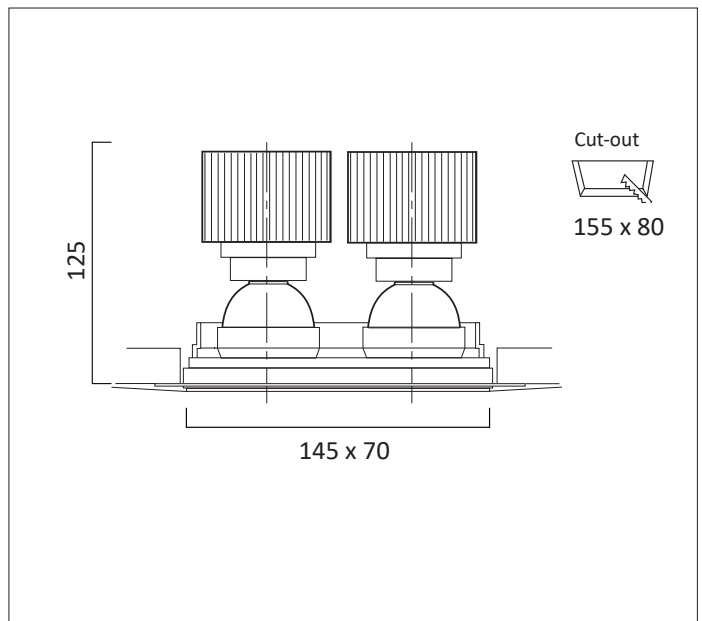


# QUAD TRIMLESS DOUBLE - Xicato LED



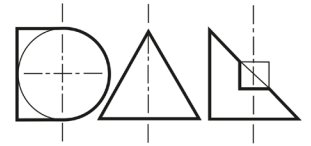
QUAD TRIMLESS DOUBLE OBLONG Recessed downlighter with a choice of black or white ceiling trim and black interior finish and beam distribution. The high-quality precision light controller with black deep set position gives visual comfort. The QUAD is easy to install and incorporates the latest, high efficiency LED technology. Colour consistency through life is ensured by state-of-the-art components and passive cooling aluminium heat sinks. 0-30° tilt, 340° rotation. Standard colour temperatures: 2700K, 3000K, 4000K, colour rendering Ra >80 2 step Macadam are all available. Life 50000 hours. A choice of drivers provide fixed supply or dimming to project requirements. IP20 or IP44 durable, high specification diecast construction, colour powder coat finish provides longevity. Built to conform to the requirements of BS EN 60598-1 and IEC 598. Photometrically tested to LM-79-08 confirms QUAD TRIMLESS DOUBLE high performance.



White Interior

Black Interior

IP20	White Interior	Black Interior
20°	<b>N1224</b>	<b>N1223</b>
40°	<b>N1244</b>	<b>N1243</b>
60°	<b>N1264</b>	<b>N1263</b>



**9mm LIGHT ENGINE for 20° beam -**

**Two drivers will be supplied per fitting therefore the figures should be doubled**

Engine Order Code	Output (Lumens)	CCT	CRI	Pd (W)	Vf forward typical	Current
<b>09A2</b>	965	2700K	>80	10.9W	21.7	500 mA
<b>13A2</b>	1300	2700K	>80	15.6W	22.3	700 mA

<b>09A3</b>	965	3000K	>80	10.9W	21.7	500 mA
<b>13A3</b>	1300	3000K	>80	15.6W	22.3	700 mA

<b>09A5</b>	965	4000K	>80	10.9W	21.7	500 mA
<b>13A5</b>	1300	4000K	>80	15.6W	22.3	700 mA

**19mm LIGHT ENGINE for 40° and 60° beam**

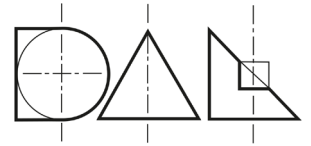
**Two drivers will be supplied per fitting therefore the figures should be doubled**

Engine Order Code	Output (Lumens)	CCT	CRI	Pd (W)	Vf forward typical	Current
<b>09A2</b>	965	2700K	>80	6.6W	13.2	500 mA
<b>13A2</b>	1300	2700K	>80	9.5W	13.6	700 mA
<b>14A2</b>	1490	2700K	>80	10.6W	21.1	500 mA
<b>20A2</b>	2000	2700K	>80	15.2W	21.7	700 mA

<b>09A3</b>	965	3000K	>80	6.6W	13.2	500 mA
<b>13A3</b>	1300	3000K	>80	9.5W	13.6	700 mA
<b>14A3</b>	1490	3000K	>80	10.6W	21.1	500 mA
<b>20A3</b>	2000	3000K	>80	15.2W	21.7	700 mA

<b>09A5</b>	965	4000K	>80	6.6W	13.2	500 mA
<b>13A5</b>	1300	4000K	>80	9.5W	13.6	700 mA
<b>14A5</b>	1490	4000K	>80	10.6W	21.1	500 mA
<b>20A5</b>	2000	4000K	>80	15.2W	21.7	700 mA

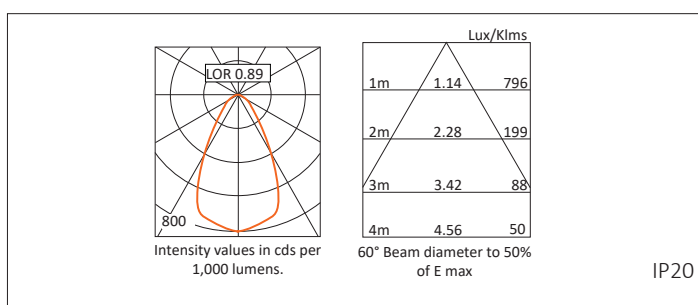
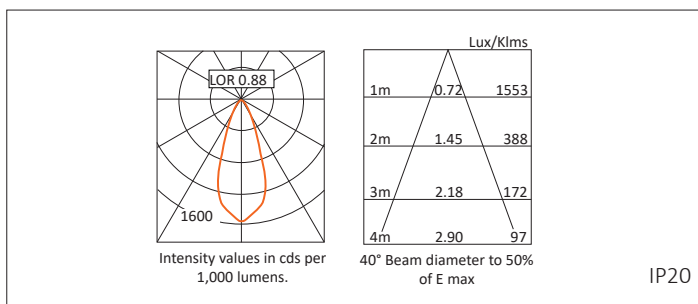
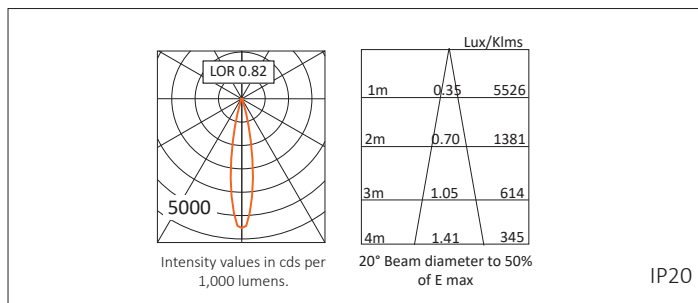
# DRIVERS & EMERGENCY



Driver Order Code	
<b>0</b>	FIXED
<b>1</b>	1-10V
<b>3</b>	DSI
<b>5</b>	DALI
<b>7</b>	LEAD / TRAIL

Emergency Order Code	Description	Lumens	Emergency Operation (Lumens)
<b>0</b>	No emergency		
<b>E</b>	3 hour maintained emergency pack	965	193
		1300	185
		1490	285
		2000	285
<b>9E</b>	with DALI Addressable with full error feed back		

## PHOTOMETRIC DATA



Full Product Number Example

**N124313A290**

**N12** Xicato LED- IP20

**4** 40°

**3** Black Finish

**13** 1300

**A** CRI >80 - 2 Step MacAdam

**2** 2700K

**5** DALI

**0** No Emergency

**NOTE: For lighting calculations with QUAD X86 DOUBLE use two sets of photometric data.**