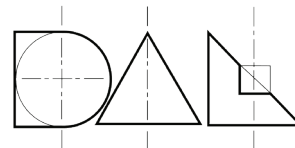
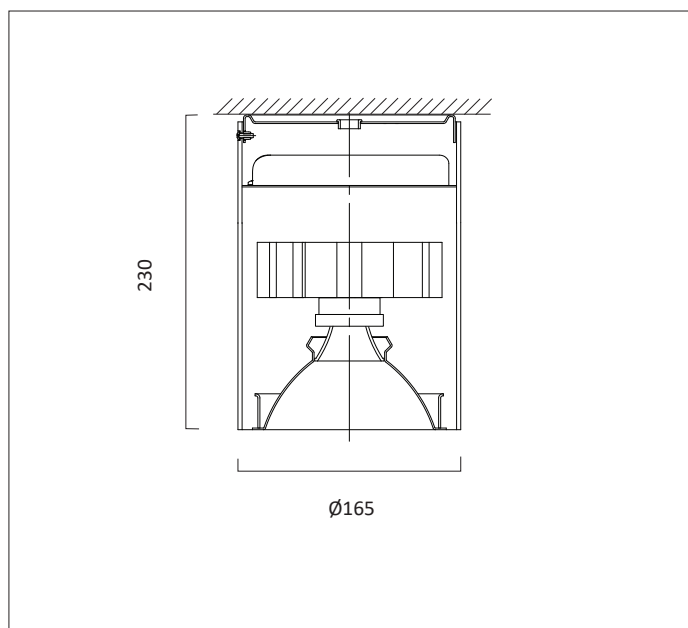


CIVIC X165 - XICATO LED

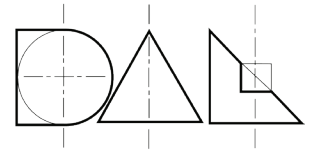


CIVIC X165 Surface mounted downlighter with a choice of deep cone reflector finish, beam distribution. CIVIC X165 finished white, black or silver. Driver mounted intergrally. The high-quality precision light controller with deep cone aluminium reflector gives visual comfort. The CIVIC X165 is easy to install and incorporates the latest, high efficiency LED technology. Colour consistency through life is ensured by state-of-the-art components and passive cooling aluminium heat sinks. Standard colour temperatures: 2700K, 3000K, 4000K, colour rendering Ra >80 2 step Macadam are all available. Life 50000 hours. A choice of drivers provide fixed supply or dimming to project requirements. IP20 durable, high specification diecast construction, colour powder coat finish provides longevity. Built to conform to the requirements of BS EN 60598-1 and IEC 598. Photometrically tested to LM-79-08 confirms CIVIC X165 high performance.



Reflector	Specular Silver	Satin Silver	White
WHITE CASING RAL9010			
20°	M4021	M4022	M4024
40°	M4041	M4042	M4044
60°	M4061	M4062	M4064
BLACK CASING RAL 9005			
20°	M4121	M4122	M4124
40°	M4141	M4142	M4144
60°	M4161	M4162	M4164
SILVER GREY CASING RAL9006			
20°	M4221	M4222	M4224
40°	M4241	M4242	M4244
60°	M4261	M4262	M4264



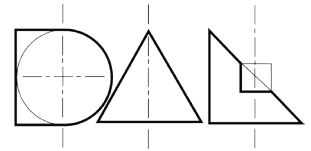


19mm LIGHT ENGINE

Engine Order Code	Output (Lumens)	CCT	CRI	Pd (W)	Vf forward typical	Current
11A2	1105	2700K	>80	7.2W	20.6	350 mA
14A2	1490	2700K	>80	10.6W	21.1	500 mA
20A2	2000	2700K	>80	15.2W	21.7	700 mA
30A2	3000	2700K	>80	25.7W	24.4	1050mA
11A3	1105	3000K	>80	7.2W	20.6	350 mA
14A3	1490	3000K	>80	10.6W	21.1	500 mA
20A3	2000	3000K	>80	15.2W	21.7	700 mA
30A3	3000	3000K	>80	25.7W	24.4	1050mA
11A5	1105	4000K	>80	7.2W	20.6	350 mA
14A5	1490	4000K	>80	10.6W	21.1	500 mA
20A5	2000	4000K	>80	15.2W	21.7	700 mA
30A5	3000	4000K	>80	25.7W	24.4	1050mA

Tolerance range for optical and electrical data: $\pm 10\%$.

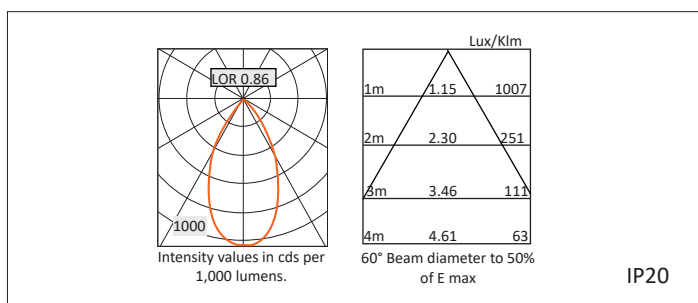
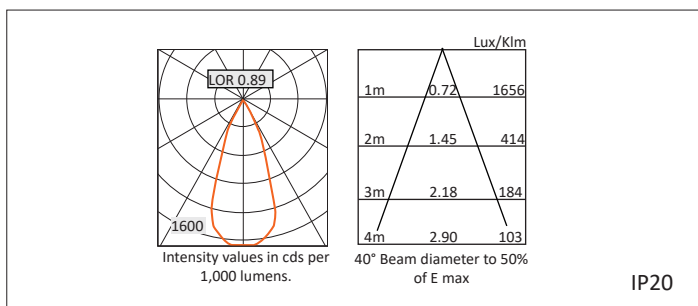
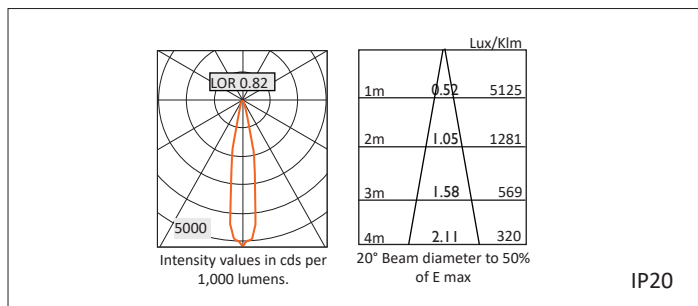
DRIVERS & EMERGENCY



Driver Order Code	Lumens	Make	Type	Max Output	Voltage Range	Dimming Range	Current Range	DAL Part No
0	FIXED							
1	1-10V							
3	DSI							
5	DALI							
7	LEAD / TRAIL							

Emergency Order Code	Description	Output (Lumens)	Emergency Operation (Lumens)	DAL Part No
0	No emergency			
E	3 hour maintained emergency pack			
9E	with DALI Addressable with full error feed back			

PHOTOMETRIC DATA



Full Product Number Example

M404120A550

M40 White Casing LED- IP20

4 40°

1 Specular Silver

20 2000 lumens

A CRI >80 - 2 Step MacAdam

5 5000K

5 DALI Driver

0 No Emergency