

BALTIC X

XICATO

Baltic X adjustable LED spotlight with Xicato LED light engine, interchangeable reflectors, integral 1-10v dimmable driver, rotary on-board dimmer and finished white (RAL 9010). Suitable for track mounting, universal 3 circuit type adaptor comes as standard. IP20.

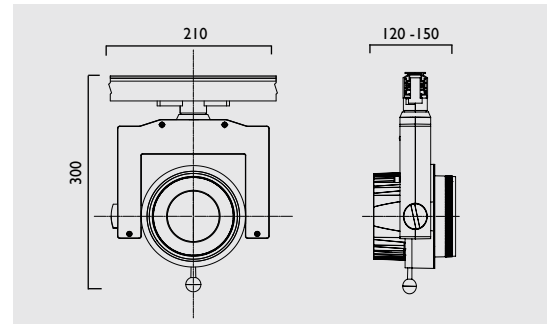
To specify Baltic X both the Product Number and the Engine number are needed. Choose the required Series, Colour Temperature (K) and Colour Rendering Index (CRI - Ra). Then choose the reflector beam angle.

Reflector holder Type A comes as part of the body assembly and has interchangeable reflectors as shown. One reflector comes with the spotlight and is the clients choice. Additional reflectors can be ordered separately.

Example:

D1400/20A210 plus D5500 is Baltic X Standard series, 2700K, Ra80 with 24° medium beam reflector.

D1500/20B510 plus D5800 is Baltic X Artist series, 4000K, Ra95 with 80° washer beam reflector.



XTM Standard Series ≥ Ra80

2 step MacAdam, 2000 lumens, 19.5W

Product and Engine Number	Colour Temperature
D1400 / 20A210	2700K
D1400 / 20A310	3000K
D1400 / 20A410	3500K
D1400 / 20A510	4000K

XTM Artist Series ≥ Ra95

2 step MacAdam, 2000 lumens, 26.4W

Product and Engine Number	Colour Temperature
D1500 / 20B210	2700K
D1500 / 20B310	3000K
D1500 / 20B410	3500K
D1500 / 20B510	4000K

XTM Vibrant Series ≥ Ra80

2 step MacAdam, 2000 lumens, 19.5W

Product and Engine Number	Colour Temperature
D1600 / 20C310	3000K

XTM Vibrant Series ≥ Ra95

2 step MacAdam, 2000 lumens, 26.4W

Product and Engine Number	Colour Temperature
D1700 / 20D310	3000K

Reflector holder Type A



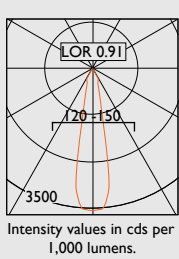
Reflectors

Medium
XTM LED - D5500

Wide
XTM LED - D5600

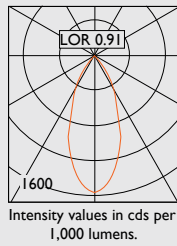
Flood
XTM LED - D5700

Photometric data for XTM LEDs



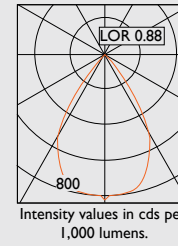
Lux/Klms	
1m	0.42 3393
2m	0.84 848
3m	1.27 377
4m	1.69 212

24° Beam diameter to 50% of E max



Lux/Klms	
1m	0.76 1557
2m	1.53 389
3m	2.29 173
4m	3.06 97

42° Beam diameter to 50% of E max



Lux/Klms	
1m	1.32 834
2m	2.64 417
3m	3.96 92
4m	5.28 52

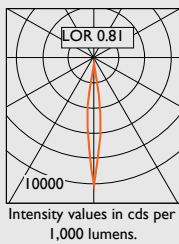
67° Beam diameter to 50% of E max

Reflector holder Type B complete with reflector



Narrow
XTM LED - D5400

Photometric data for XTM LEDs



Lux/Klms	
1m	1.88 5584
2m	2.07 1396
3m	2.76 620
4m	3.45 349

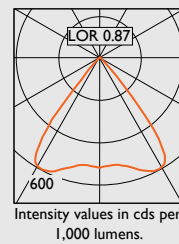
10° Beam diameter to 50% of E max

Reflector holder Type C complete with reflector



Washer
XTM LED - D5800

Photometric data for XTM LEDs



Lux/Klms	
1m	0.72 520
2m	1.45 260
3m	2.17 57
4m	2.90 32

80° Beam diameter to 50% of E max



Attachments

Product Description
No

D3700 Barn Doors

Barn Doors D3700, only suitable for reflector holder Type A